

- from 1 to 12 colors
- 3-axis micro regulation
- ALU rubber coated pallets

- long life of registration
- easy adjustment
- optional accessories

MAN series hand carousels are available in versions up to 12 colors. Starting with 1 and 4 colors bench models, through most popular 4, 6 and 8 colors models, up to 10 and 12 colors for special purposes.

The basic thing is construction stability, with consequence we have 3 designs of main body according to machine's size. We do our best to unify components of registration system used on all MAN series models. Very well tested elements assure long life of the product.

Solid ALU pallets coated with special rubber, made of absolutely flat ALU plates. In standard it comes with 41 x 56 cm pallets set. Any size of pallets available on request.

Machine is registered and leveled in factory, after delivery its only left to attach arms and set feet to floor level.

All parts and service is available from factory facility in Poland.

For MAN series machines we recommend following flashes:

- QLH or CLH series made with Quartz lamps
- CPH series made with Ceramic elements

MAN series HAND CARUSEL

FEATURES

STRUCTURE

- metal structure welded with tooling for best precision, parts laser cutted

TABLE ROTATION

- Manual rotation with pin locks on each station (Optional rotation drive system)

PRINTING

- All colors down printing, screen weight compensation, full off-contact adjustment

REGISTER

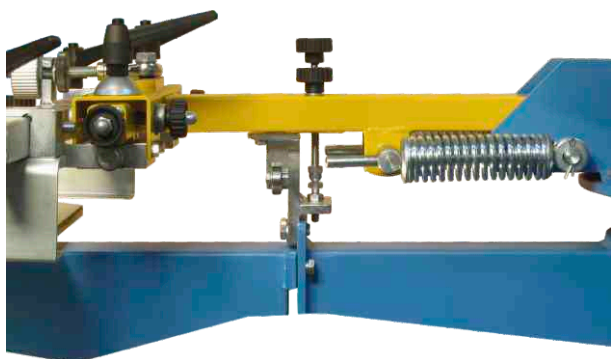
- factory set up register, 2 bearings with position pin for each color

TOLL LESS ADJUSTMENT

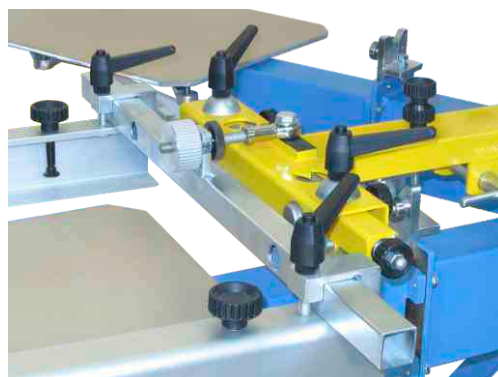
- All adjustment done by handles knobs and levers

TRANSPORT AND INSTALLATION

- Standard wooden pallet packaging with soft secured top, Optional crating or compact KIT packaging
- Installation of standard packed machine is limited to lower arms assembly (for 10 and 12 colors service technician is necessary)



off-contact adjustment



Screen holder angle compensation

MODEL	MAN 1x1	MAN 4x1	MAN 4x4	MAN 6x6	MAN 8x8	MAN 10x10	MAN 12x12
DIAMETER	115x155 cm	330 cm	330 cm	330 cm	375 cm	450 cm	530 cm
MAX SCREEN WIDTH	66 cm	66 cm	66 cm	66 cm	66 cm	66 cm	72 cm
MAX PRINT WIDTH	50 cm	50 cm	50 cm	50 cm	50 cm	50 cm	58 cm
SHIPPING WEIGHT	150 kg	270 kg	370 kg	470 kg	700 kg	1000 kg	1250 kg
SHIPPING DIMENSIONS	165x165x160	165x165x160	165x165x160	165x165x160	200x200x160	220x220x160	240x240x160
MIN DOOR WAY	N/A	80 cm	105 cm	105 cm	150 cm	180 cm	200 cm
WORKING SIZE	140x100 cm	320 cm	320 cm	320 cm	375 cm	450 cm	530 cm

Hand Carusel MAN 6 stations / 6 colors

Technical information:

Diameter: 330 cm
height: 186 cm
Max. max print width: 50 cm
Max. screen width: 66 cm
Weight: 420 kg

Packaging, sizes and weight

Crating STANDARD:

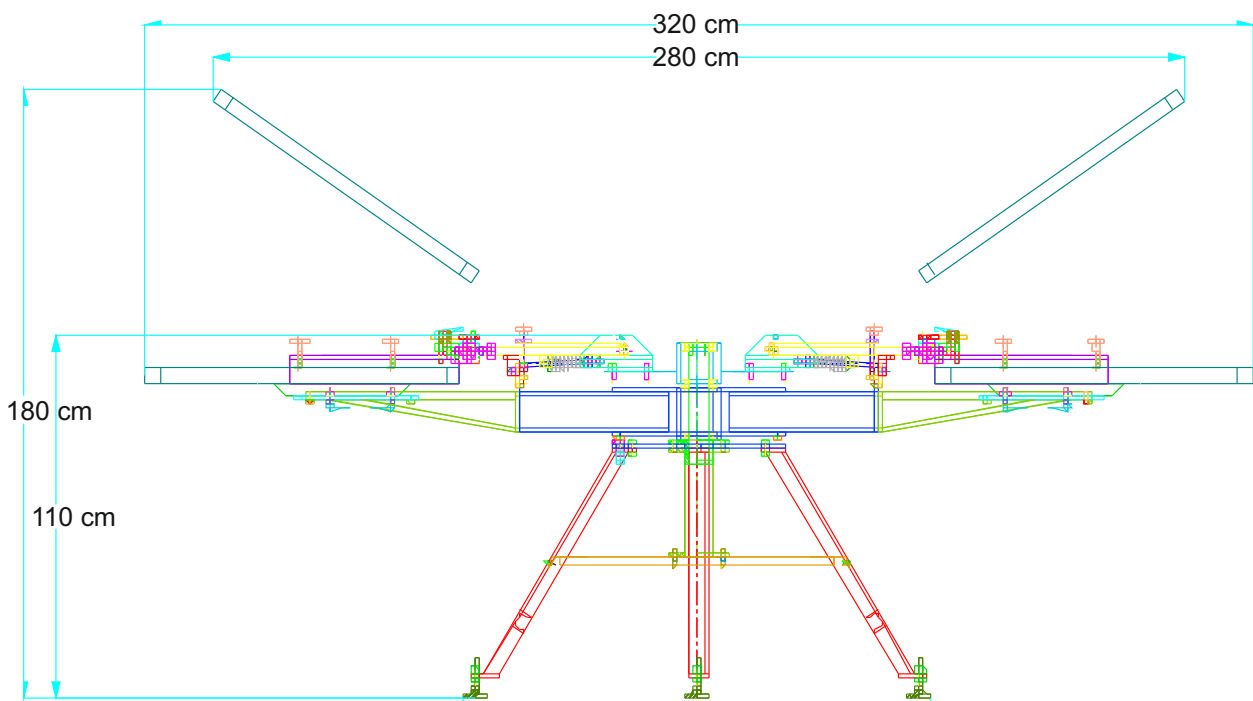
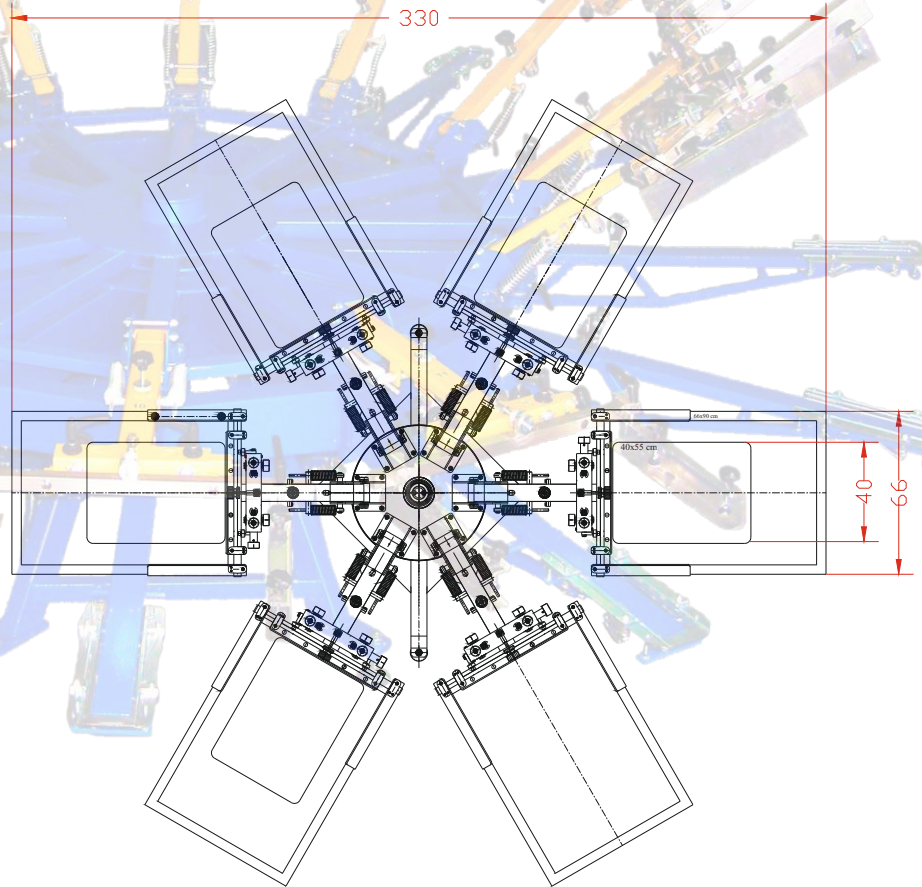
height 160 cm
width 165 cm
length 165 cm
Packaging weight: 470 kg.

Crating OVERSEA:

height 160 cm
width 165 cm
length 165 cm
Packaging weight: 520 kg.

Crating KIT:

height 125 cm
width 55 cm
length 150 cm
Packaging weight: 470 kg.



Hand Carusel MAN 8 stations / 8 colors

Technical informations:

Diameter:	Max. print width:	Weight:
375 cm	50 cm	650 kg
Height:	Max. screen width:	
186 cm	66 cm	

Packaging, sizes and weight

Crating STANDARD:

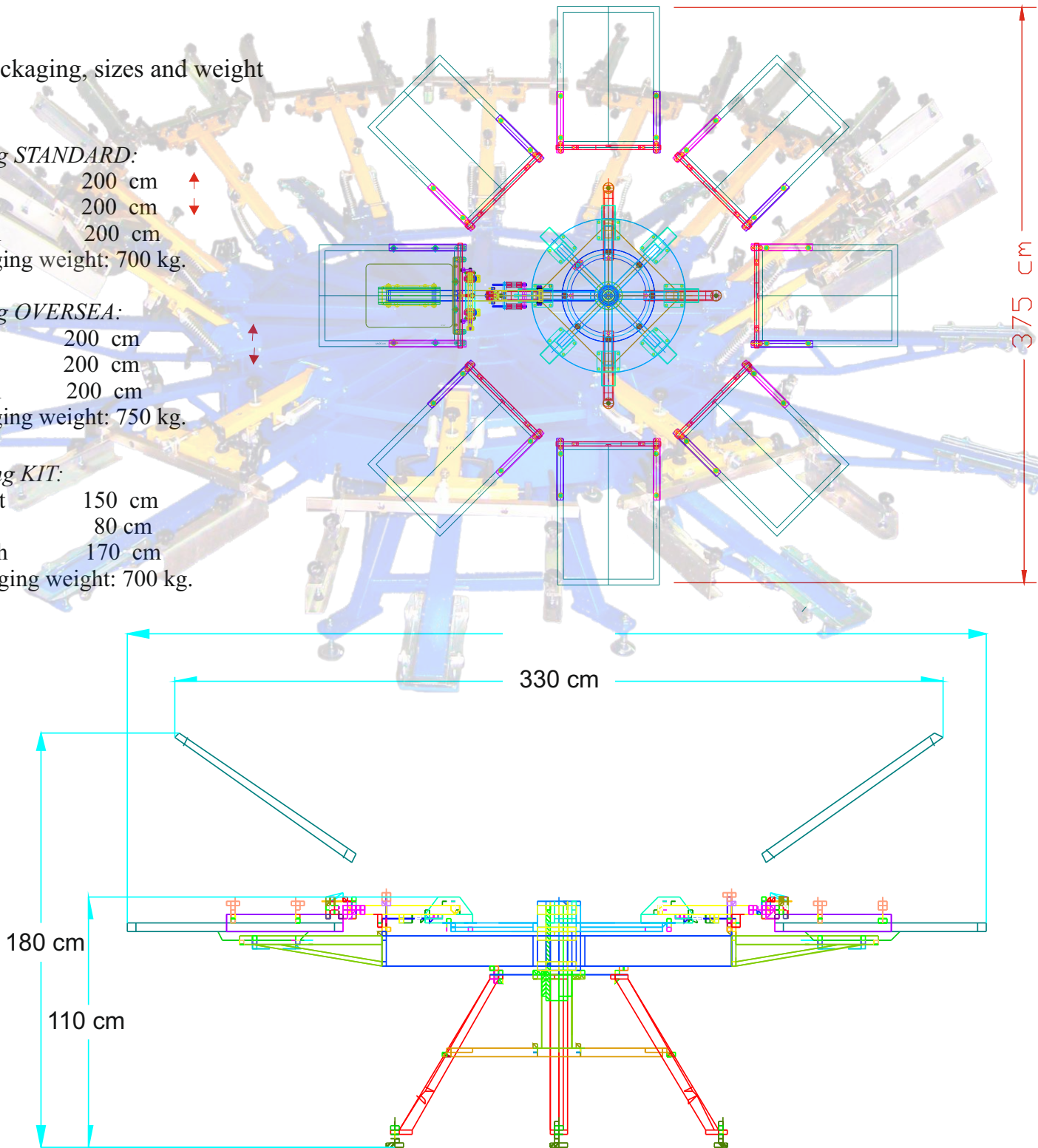
Height	200 cm	↑
Width	200 cm	↓
Length	200 cm	
Packaging weight:	700 kg.	

Crating OVERSEA:

Height	200 cm	↑
Width	200 cm	↓
Length	200 cm	
Packaging weight:	750 kg.	

Crating KIT:

Height	150 cm	↑
Width	80 cm	↓
Length	170 cm	
Packaging weight:	700 kg.	



Hand Carusel MAN 12 stations / 12 colors

Technical information:

Diameter:	Max. print width:	Weight:
530 cm	56 cm	1250 kg
Height:	Max. screen width:	
186 cm	72 cm	

Packaging, sizes and weight

Crating STANDARD:

Height	200 cm
Width	220 cm
Length	220 cm
Packaging weight:	1330 kg.

Crating OVERSEA:

Height	200 cm
Width	220 cm
Length	220 cm
Packaging weight:	1380 kg.

